



## **ADDENDUM NO. 2**

RE: Indiana University Bloomington  
BL000B Multi-Building  
FY25 Restroom Upgrades  
BL065, BL072, BL101, BL245, BL572

OWNER: The Trustees of Indiana University  
Bloomington, Indiana

PROJECT No.: 20240601

ARCH. PROJECT  
No.: 24-49

DATE: March 10, 2025

ISSUED BY: Springpoint Architects, p.c.  
522 West 2<sup>nd</sup> Street  
Bloomington, IN 47403

TO: Bidders

This Addendum modifies the Bidding Documents dated February 11, 2025, and will become part of the Contract Documents. Acknowledge receipt of this Addendum on Bid Form. Failure to do so may subject the Bidder to disqualification.

### **GENERAL CLARIFICATIONS:**

1. At all buildings, typical walls shown for demolition are assumed to be CMU construction unless noted otherwise.
2. There is (1) automatic door operator included in this project to be provided at the existing door for Men's 198 at BL065 Optometry, reference sheet A101, Plan Note 4.

### **CHANGES TO BIDDING REQUIREMENTS:**

None

### **CHANGES TO SPECIFICATIONS:**

1. Section 22 42 14: COMMERCIAL WATER CLOSETS
  - a. Added "Support" verbiage to the specification, see attached.
2. Section 22 42 20: COMMERCIAL URINALS
  - a. Added "Support" verbiage to the specification, see attached.



### CHANGES TO DRAWINGS:

3. Sheet A101 – BL065 OPTOMETRY FLOOR PLAN
  - a. Revise Demolition Plan Note D1 “REMOVE RESILIENT BASE, THIS ROOM”
  - b. Revise Demolition Plan Note D6 “REMOVE AND REPLACE UNIT HEATER, REFERENCE HVAC SERIES. PATCH CMU WALL AS REQUIRED”
  
4. Sheet A103 – BL065 OPTOMETRY FINISH PLANS, DETAILS, & SCHEDULES
  - a. ROOM FINISH SCHEDULE
    - i. Revise room 195 JANITOR
      1. Provide new paint on all walls. Existing construction is CMU.
      2. Provide new resilient base at this room.
  
5. Sheet A111 – BL072 CHEMISTRY, 4<sup>TH</sup>, 5<sup>TH</sup>, & 6<sup>TH</sup> FLOORS, DEMOLITION & FLOOR PLANS
  - a. Add to Demolition Note D9 “EXISTING JANITOR DOOR MAY BE USED IN LIEU OF TEMPORARY ACCESS DOOR.”
  - b. Add to Plan Note 4 “REFER TO ADD2.1 - CONCRETE SLAB INFILL DETAIL.”, see attached.
  
6. Sheet A141 - BL572 I-GYM FLOOR PLAN, BASE BID
  - a. Add to Demolition Note D11 “PROVIDE METAL STUD WALL 2/VINYL FACED GYP. BOARD (PUBLIC SIDE ONLY) TO 8’-0” AFF AND TEMPORARY SOLID CORE DOOR/HOLLOW METAL FRAME W/ CONSTRUCTION CORE”.
  
7. Sheet A141.A – BL572 I-GYM FLOOR PLAN, ALTERNATE BID
  - a. Add to Demolition Note D11 “PROVIDE METAL STUD WALL 2/VINYL FACED GYP. BOARD (PUBLIC SIDE ONLY) TO 8’-0” AFF AND TEMPORARY SOLID CORE DOOR/HOLLOW METAL FRAME W/ CONSTRUCTION CORE”.
  
8. Sheet A144 – BL572 I-GYM INTERIOR ELEVATIONS, BASE BID
  - a. Detail N – BL572 – LOBBY, INTERIOR ELEV.
    - i. Add Note 3 “PAINT SIDES AND BACK OF NICHE WITH CONTRASTING PAINT COLOR”.
  
9. Sheet A144.A – BL572 I-GYM INTERIOR ELEVATIONS, ALTERNATE BID
  - a. Detail N – BL572 – LOBBY, INTERIOR ELEV.
    - i. Add Note 3 “PAINT SIDES AND BACK OF NICHE WITH CONTRASTING PAINT COLOR”.
  
10. Sheet P500 – PLUMBING SCHEDULES AND DETAILS
  - a. Added carrier notes to fixture schedule, see attached.
  
11. Sheet E801 – ELECTRICAL SCHEDULE & DETAILS
  - a. See revised detail #4, see attached.



**LIST OF ATTACHMENTS:**

- Section 22 42 14 – COMMERCIAL WATER CLOSETS
- Section 22 42 20 – COMMERCIAL URINALS
- ADD2.1 – CONCRETE SLAB INFILL DETAIL
- Sheet P500 – PLUMBING SCHEDULES AND DETAILS
- Sheet E801 – ELECTRICAL SCHEDULES & DETAILS

## **SECTION 224214 - COMMERCIAL WATER CLOSETS**

### PART 1 - GENERAL

#### 1.1 RELATED DOCUMENTS

- A. Drawings and general provisions of the Contract, including General and Supplementary Conditions and Division 01 Specification Sections, apply to this Section.

#### 1.2 SUMMARY

- A. Section Includes:
  - 1. Water closets.
  - 2. Toilet seats.
  - 3. Flushometer valves.
  - 4. **Supports.**

#### 1.3 ACTION SUBMITTALS

- A. Product Data: For each type of product.
  - 1. Include construction details, material descriptions, dimensions of individual components and profiles, and finishes for water closets.
  - 2. Include rated capacities, operating characteristics, electrical characteristics, and furnished specialties and accessories.

#### 1.4 CLOSEOUT SUBMITTALS

- A. Operation and Maintenance Data: For flushometer valves and electronic sensors to include in operation and maintenance manuals.

#### 1.5 MAINTENANCE MATERIAL SUBMITTALS

- A. Furnish extra materials that are packaged with protective covering for storage and identified with labels describing contents.
  - 1. Flushometer-Valve Repair Kits: Equal to 10 percent of amount of each type installed, but no fewer than one of each type.

## PART 2 - PRODUCTS

### 2.1 WALL-MOUNTED, WALL-OUTLET WATER CLOSETS

#### A. Water Closets: Wall mounted, bottom outlet.

1. Basis-of-Design Product: Subject to compliance with requirements, provide product indicated on Drawings or one of the following:
  - a. Kohler.
  - b. American Standard.
  - c. Zurn
2. Bowl:
  - a. Standards: ASME A112.19.2/CSA B45.1 and ASME A112.19.5.
  - b. Material: Vitreous China.
  - c. Rim Contour: Elongated.
3. Support:
  - a. Standard: ASME A112.6.1M.
  - b. Description: Waste-fitting assembly as required to match drainage piping material and arrangement with faceplates, couplings gaskets, and feet; bolts and hardware matching fixture. Include additional extension coupling, faceplate, and feet for installation in wide pipe space.
  - c. Water-Closet Mounting Height: Standard, Handicapped/elderly according to ICC/ANSI A117.1.

### 2.2 FLOOR-MOUNTED, BOTTOM-OUTLET WATER CLOSETS

#### A. Water Closets: Floor mounted, bottom outlet, top spud.

1. Bowl:
  - a. Standards: ASME A112.19.2/CSA B45.1 and ASME A112.19.5.
  - b. Material: Vitreous china.
  - c. Type: Siphon jet.
  - d. Style: Flushometer valve.
  - e. Rim Contour: Elongated.
  - f. Spud Size and Location: NPS 1-1/2; top.
  - g. Color: White.
2. Bowl-to-Drain Connecting Fitting: ASME A112.4.3.

## 2.3 TOILET SEATS

### A. Toilet Seats:

1. Manufacturers: Subject to compliance with requirements, provide products by the following:
  - a. Kohler.
  - b. Bemis.
  - c. American Standard.
2. Standard: IAPMO/ANSI Z124.5.
3. Type: Commercial (Heavy duty).
4. Shape: Elongated rim, open front.
5. Hinge: Self-sustaining, check.
6. Hinge Material: Non-corroding metal.
7. Seat Cover: Not required.

## 2.4 FLUSHOMETER VALVES

### A. Hard-Wired, Diaphragm Flushometer Valves:

1. Manufacturers:
  - a. American Standard.
  - b. Sloan.
  - c. Zurn.
2. Standard: ASSE 1037.
3. Minimum Pressure Rating: 125 psig.
4. Features: Include integral check stop and backflow-prevention device.
5. Material: Brass body with corrosion-resistant components.
6. Exposed Flushometer-Valve Finish: Chrome plated.
7. Panel Finish: Chrome plated or stainless steel.
8. Actuator: Solenoid complying with UL 1951, and listed and labeled as defined in NFPA 70, by a qualified testing agency, and marked for intended location and application.
9. Trip Mechanism: Hard-wired electronic sensor complying with UL 1951, and listed and labeled as defined in NFPA 70, by a qualified testing agency, and marked for intended location and application.

## 2.5 SUPPORTS

### A. Water-Closet Carrier:

1. **Standard: ASME A112.6.1M.**
2. **Source Limitations: Obtain water-closet carrier from single source from single manufacturer.**

3. **Description: Waste-fitting assembly, as required to match drainage piping material and arrangement with faceplates, couplings gaskets, and feet; bolts and hardware matching fixture.**
4. **No compact carriers will be accepted.**
5. **Shall support 500 lbs at "nose of fixture".**

### PART 3 - EXECUTION

#### 3.1 EXAMINATION

- A. Examine roughing-in of water supply and sanitary drainage and vent piping systems to verify actual locations of piping connections before water-closet installation.
- B. Examine walls and floors for suitable conditions where water closets will be installed.
- C. Proceed with installation only after unsatisfactory conditions have been corrected.

#### 3.2 INSTALLATION

##### A. Water-Closet Installation:

1. Install level and plumb according to roughing-in drawings.
2. Install floor-mounted water closets on bowl-to-drain connecting fitting attachments to piping or building substrate.
3. Install accessible, wall-mounted water closets at mounting height for handicapped/elderly, according to ICC/ANSI A117.1.

##### B. Install toilet seats on water closets.

##### C. Joint Sealing:

1. Seal joints between water closets and walls and floors using sanitary-type, one-part, mildew-resistant silicone sealant.
2. Match sealant color to water-closet color.
3. Comply with sealant requirements specified in Division 07 Section "Joint Sealants."

##### D. Support Installation:

1. **Use carrier supports with waste-fitting assembly and seal.**
2. **Install wall-mounted, back-outlet water-closet supports with waste-fitting assembly and waste-fitting seals; and affix to building substrate.**

3.3 CONNECTIONS

- A. Connect water closets with water supplies and soil, waste, and vent piping. Use size fittings required to match water closets.
- B. Comply with water piping requirements specified in Division 22 Section "Domestic Water Piping."
- C. Comply with soil and waste piping requirements specified in Division 22 Section "Sanitary Waste and Vent Piping."
- D. Where installing piping adjacent to water closets, allow space for service and maintenance.

3.4 ADJUSTING

- A. Operate and adjust water closets and controls. Replace damaged and malfunctioning water closets, fittings, and controls.

3.5 CLEANING AND PROTECTION

- A. Clean water closets and fittings with manufacturers' recommended cleaning methods and materials.
- B. Install protective covering for installed water closets and fittings.
- C. Do not allow use of water closets for temporary facilities unless approved in writing by Owner.

**END OF SECTION 224214**



**SECTION 224220 - COMMERCIAL URINALS**

PART 1 - GENERAL

1.1 RELATED DOCUMENTS

- A. Drawings and general provisions of the Contract, including General and Supplementary Conditions and Division 01 Specification Sections, apply to this Section.

1.2 SUMMARY

- A. Section Includes:

- 1. Urinals.
- 2. Flushometer valves.
- 3. **Supports.**

- B. Related Requirements:

- 1. Division 22 Section "Security Plumbing Fixtures" for security urinals.

1.3 ACTION SUBMITTALS

- A. Product Data: For each type of product.

- 1. Include construction details, material descriptions, dimensions of individual components and profiles, and finishes for urinals.
- 2. Include rated capacities, operating characteristics, electrical characteristics, and furnished specialties and accessories.

- B. Shop Drawings: Include diagrams for power, signal, and control wiring.

1.4 CLOSEOUT SUBMITTALS

- A. Operation and Maintenance Data: For flushometer valves and electronic sensors to include in operation and maintenance manuals.

1.5 MAINTENANCE MATERIAL SUBMITTALS

- A. Furnish extra materials that are packaged with protective covering for storage and identified with labels describing contents.

1. Flushometer-Valve Repair Kits: Equal to 10 percent of amount of each type installed, but no fewer than one of each type.
2. Waterless Urinal Trap-Seal Cartridges: Equal to 200 percent of amount of each type installed, but no fewer than 12 of each type.
3. Waterless Urinal Trap-Seal Liquid: Equal to 5 gal. for each urinal installed.

## PART 2 - PRODUCTS

### 2.1 URINALS

#### A. Urinals refer to plumbing fixture schedule:

1. Manufacturers: Subject to compliance with requirements, provide products by the following
  - a. American Standard America.
  - b. Kohler Co.
  - c. Zurn Industries, LLC; Commercial Brass and Fixtures.
  - d. Mansfield
2. Fixture:
  - a. Standards: ASME A112.19.2/CSA B45.1 and ASME A112.19.5.
  - b. Material: Vitreous china.
  - c. Type: Straight or sloped front.
  - d. Strainer: Separate; removable.
  - e. Water Consumption: Water saving.
  - f. Spud Size and Location: NPS 3/4.
  - g. Color: White.
3. Support: ASME A112.6.1M, Type I, urinal carrier with fixture support plates and coupling with seal and fixture bolts and hardware matching fixture. Include rectangular, steel uprights.
4. Flushometer Valve:
  - a. Standard: ASME A112.18.1/CSA B125.1.
  - b. Flushing Device: Manufacturer's standard for NPS 1/2 (DN 15) supply; self-closing valve; and wash-down pipe of length matching fixture.
5. Waste Fitting:
  - a. Standard: ASME A112.18.2/CSA B125.2.
  - b. Provide and coordinate all accessories required.

## 2.2 URINAL FLUSHOMETER VALVES

### A. Hard-wired, Solenoid-Actuator, Diaphragm Flushometer Valves:

1. Standard: ASSE 1037.
2. Minimum Pressure Rating: 125 psig.
3. Features: Include integral check stop and backflow-prevention device.
4. Material: Brass body with corrosion-resistant components.
5. Exposed Flushometer-Valve Finish: Chrome plated.
6. Panel Finish: Chrome plated or stainless steel.
7. Style: Exposed.
8. Actuator: Solenoid complying with UL 1951; listed and labeled as defined in NFPA 70, by a qualified testing agency; and marked for intended location and application.
9. Trip Mechanism: Hard-wired electronic sensor complying with UL 1951; listed and labeled as defined in NFPA 70, by a qualified testing agency; and marked for intended location and application.

## 2.3 SUPPORTS

### A. Type I Urinal Carrier:

1. **Standard: ASME A112.6.1M.**

## PART 3 - EXECUTION

### 3.1 EXAMINATION

- A. Examine roughing-in of water supply and sanitary drainage and vent piping systems to verify actual locations of piping connections before urinal installation.
- B. Examine walls and floors for suitable conditions where urinals will be installed.
- C. Proceed with installation only after unsatisfactory conditions have been corrected.

### 3.2 INSTALLATION

#### A. Urinal Installation:

1. Install urinals level and plumb according to roughing-in drawings.
2. Install wall-hung, back-outlet urinals onto waste fitting seals and attached to supports.
3. Install wall-hung, bottom-outlet urinals with tubular waste piping attached to supports.
4. Install accessible, wall-mounted urinals at mounting height for the handicapped/elderly, according to ICC/ANSI A117.1.
5. Install trap-seal liquid in waterless urinals.

B. Support Installation:

1. Install supports, affixed to building substrate, for wall-hung urinals.
2. Use off-floor carriers with waste fitting and seal for back-outlet urinals.
3. Use carriers without waste fitting for urinals with tubular waste piping.
4. Use chair-type carrier supports with rectangular steel uprights for accessible urinals.

C. Flushometer-Valve Installation:

1. Install flushometer-valve water-supply fitting on each supply to each urinal.
2. Attach supply piping to supports or substrate within pipe spaces behind fixtures.
3. Install lever-handle flushometer valves for accessible urinals with handle mounted on open side of compartment.
4. Install fresh batteries in battery-powered, electronic-sensor mechanisms.

D. Wall Flange and Escutcheon Installation:

1. Install wall flanges or escutcheons at piping wall penetrations in exposed, finished locations.
2. Install deep-pattern escutcheons if required to conceal protruding fittings.
3. Comply with escutcheon requirements specified in Division 22 Section "Escutcheons for Plumbing Piping."

E. Joint Sealing:

1. Seal joints between urinals and walls and floors using sanitary-type, one-part, mildew-resistant silicone sealant.
2. Match sealant color to urinal color.
3. Comply with sealant requirements specified in Division 07 Section "Joint Sealants."

### 3.3 CONNECTIONS

- A. Connect urinals with water supplies and soil, waste, and vent piping. Use size fittings required to match urinals.
- B. Comply with water piping requirements specified in Division 22 Section "Domestic Water Piping."
- C. Comply with soil and waste piping requirements specified in Division 22 Section "Sanitary Waste and Vent Piping."
- D. Where installing piping adjacent to urinals, allow space for service and maintenance.

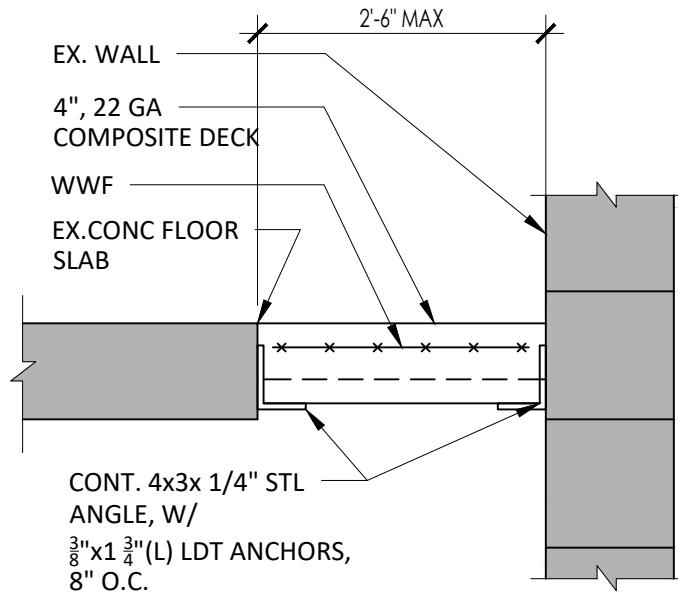
3.4 ADJUSTING

- A. Operate and adjust urinals and controls. Replace damaged and malfunctioning urinals, fittings, and controls.
- B. Adjust water pressure at flushometer valves to produce proper flow.
- C. Install fresh batteries in battery-powered, electronic-sensor mechanisms.

3.5 CLEANING AND PROTECTION

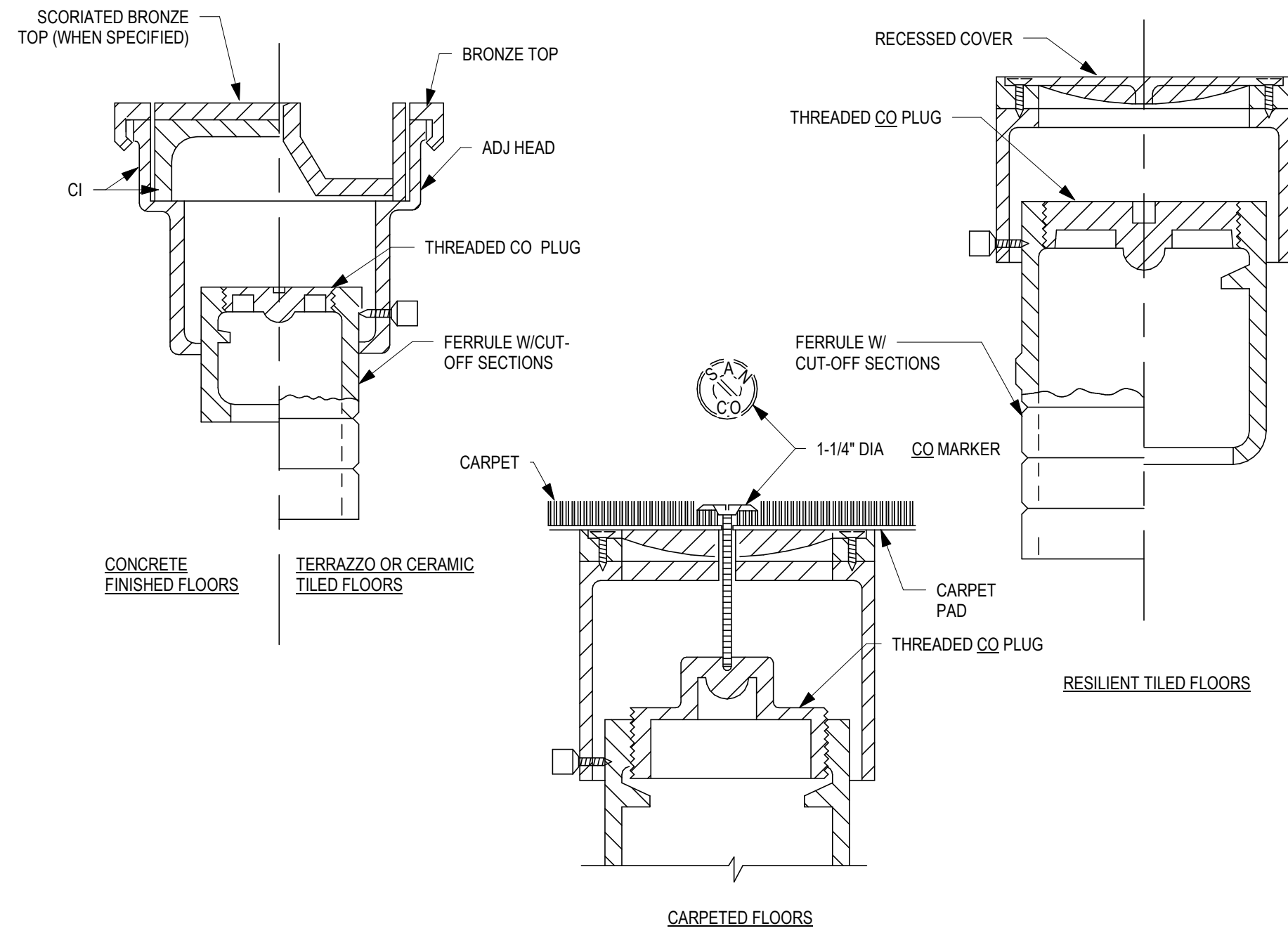
- A. Clean urinals and fittings with manufacturers' recommended cleaning methods and materials.
- B. Install protective covering for installed urinals and fittings.
- C. Do not allow use of urinals for temporary facilities unless approved in writing by Owner.

**END OF SECTION 224220**



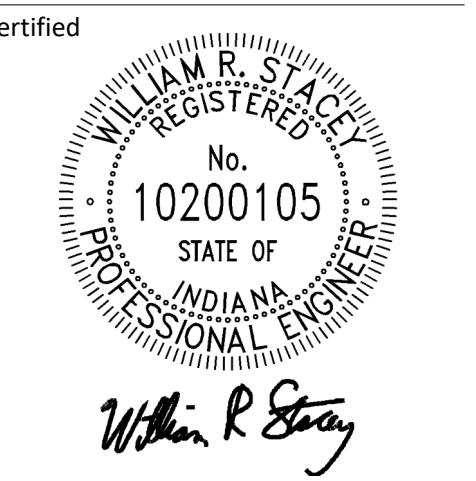
TYPICAL  
**CONC. SLAB INFILL**

SCALE: 1" = 1'-0"



**4 FLOOR CLEANOUT DETAIL**  
NO SCALE

| TAG                | LOCATION                    | REFERENCE MANUFACTURER | REFERENCE MODEL             | WATER USAGE | CONNECTION SIZES |      |           |            |             | NOTES  |
|--------------------|-----------------------------|------------------------|-----------------------------|-------------|------------------|------|-----------|------------|-------------|--|
|                    |                             |                        |                             |             | WASTE            | VENT | HOT WATER | COLD WATER | TEPID WATER |  |
| WC-1 (FIXTURE)     | MEN'S / WOMEN'S RESTROOMS   | AMERICAN STANDARD      | 2257.101                    | 1.28 GPF    | 4"               | 2"   | -         | 1"         | -           | AMERICAN DISABILITIES ACT (ADA) - INSTALL PER THE REQUIREMENTS OF THE ACCESSIBILITY GUIDELINES. PROVIDE NEW CARRIER SUITABLE FOR FIXTURE. REFER TO SPECIFICATIONS. |
| WC-1 (FLUSH VALVE) | MEN'S / WOMEN'S RESTROOMS   | SLOAN                  | 111-ESS-128-OR-HW HARDWIRED | 1.28 GPF    |                  |      |           |            |             | AMERICAN DISABILITIES ACT (ADA) - INSTALL PER THE REQUIREMENTS OF THE ACCESSIBILITY GUIDELINES.  |
| WC-2 (FIXTURE)     | MEN'S / WOMEN'S RESTROOMS   | AMERICAN STANDARD      | 2257.101                    | 1.28 GPF    | 4"               | 2"   | -         | 1"         | -           | PROVIDE NEW CARRIER SUITABLE FOR FIXTURE. REFER TO SPECIFICATIONS.   |
| WC-2 (FLUSH VALVE) | MEN'S / WOMEN'S RESTROOMS   | SLOAN                  | 111-ESS-128-OR-HW HARDWIRED | 1.28 GPF    |                  |      |           |            |             | AMERICAN DISABILITIES ACT (ADA) - INSTALL PER THE REQUIREMENTS OF THE ACCESSIBILITY GUIDELINES.  |
| WC-3 (FIXTURE)     | ALL GENDER RESTROOM         | AMERICAN STANDARD      | 3461.001                    | 1.28 GPF    | 4"               | 2"   | -         | 1"         | -           | AMERICAN DISABILITIES ACT (ADA) - INSTALL PER THE REQUIREMENTS OF THE ACCESSIBILITY GUIDELINES.  |
| WC-3 (FLUSH VALVE) | ALL GENDER RESTROOM         | SLOAN                  | 111-ESS-128-OR-HW HARDWIRED | 1.28 GPF    |                  |      |           |            |             | AMERICAN DISABILITIES ACT (ADA) - INSTALL PER THE REQUIREMENTS OF THE ACCESSIBILITY GUIDELINES.  |
| UR-1 (FIXTURE)     | MEN'S RESTROOM              | AMERICAN STANDARD      | 6550.001                    | 1.0 GPF     | 2"               | 2"   | -         | 3/4"       | -           | AMERICAN DISABILITIES ACT (ADA) - INSTALL PER THE REQUIREMENTS OF THE ACCESSIBILITY GUIDELINES. PROVIDE NEW CARRIER SUITABLE FOR FIXTURE. REFER TO SPECIFICATIONS. |
| UR-1 (FLUSH VALVE) | MEN'S RESTROOM              | SLOAN                  | 186-0 ESS-1.0 HARDWIRED     | 1.0 GPF     |                  |      |           |            |             | AMERICAN DISABILITIES ACT (ADA) - INSTALL PER THE REQUIREMENTS OF THE ACCESSIBILITY GUIDELINES.  |
| UR-2 (FIXTURE)     | MEN'S RESTROOM              | AMERICAN STANDARD      | 6550.001                    | 1.0 GPF     | 2"               | 2"   | -         | 3/4"       | -           | AMERICAN DISABILITIES ACT (ADA) - PROVIDE NEW CARRIER SUITABLE FOR FIXTURE. REFER TO SPECIFICATIONS.   |
| UR-2 (FLUSH VALVE) | MEN'S RESTROOM              | SLOAN                  | 186-0 ESS-1.0 HARDWIRED     | 1.0 GPF     |                  |      |           |            |             | AMERICAN DISABILITIES ACT (ADA) - INSTALL PER THE REQUIREMENTS OF THE ACCESSIBILITY GUIDELINES.  |
| LAV-1 (FIXTURE)    | MEN'S / WOMEN'S RESTROOMS   | -                      | -                           | 0.5 GPM     | 2"               | 2"   | -         | -          | -           | AMERICAN DISABILITIES ACT (ADA) - INSTALL PER THE REQUIREMENTS OF THE ACCESSIBILITY GUIDELINES. FIXTURE IS INTEGRAL BOWL TO COUNTERTOP.                            |
| LAV-1 (FAUCET)     | MEN'S / WOMEN'S RESTROOMS   | CHICAGO FAUCET         | EQ-A11A-51ABCP              | 0.5 GPM     | -                | -    | 1/2"      | 1/2"       | -           |  |
| LAV-2 (FIXTURE)    | ALL GENDER RESTROOM / I-GYM | AMERICAN STANDARD      | 0356.421                    | 0.5 GPM     | 2"               | 2"   |           |            |             | AMERICAN DISABILITIES ACT (ADA) - INSTALL PER THE REQUIREMENTS OF THE ACCESSIBILITY GUIDELINES.  |
| LAV-2 (FAUCET)     | ALL GENDER RESTROOM / I-GYM | CHICAGO FAUCET         | EQ-A11A-51ABCP              | 0.5 GPM     | -                | -    | 1/2"      | 1/2"       | -           |  |
| MB-1 (FIXTURE)     | JANITOR                     | FIAT                   | MSB2424                     | -           | 3"               | 2"   | 3/4"      | 3/4"       | -           | PROVIDE 2-PIECE WALL GUARD   |
| MB-1 (FAUCET)      | JANITOR                     | FIAT                   | 830AA                       | -           | 3"               | 2"   | 3/4"      | 3/4"       | -           | PROVIDE HOSE & BRACKET (832AA), AND MOP HANGER (889CC)   |
| HB-1               | MEN'S / WOMEN'S RESTROOMS   | MATCH EXISTING         | MATCH EXISTING              | -           | -                | -    | -         | 3/4"       | -           | COORDINATE MOUNTING HEIGHT WITH CASEWORK.  |



certified  
project title

INDIANA UNIVERSITY - BLOOMINGTON CAMPUS  
BLOOMING MULTI-BUILDING  
BL065, BL072, BL101, BL245, BL572  
RESTROOM RENOVATION  
INDIANA UNIVERSITY CAMPUS  
BLOOMINGTON, IN

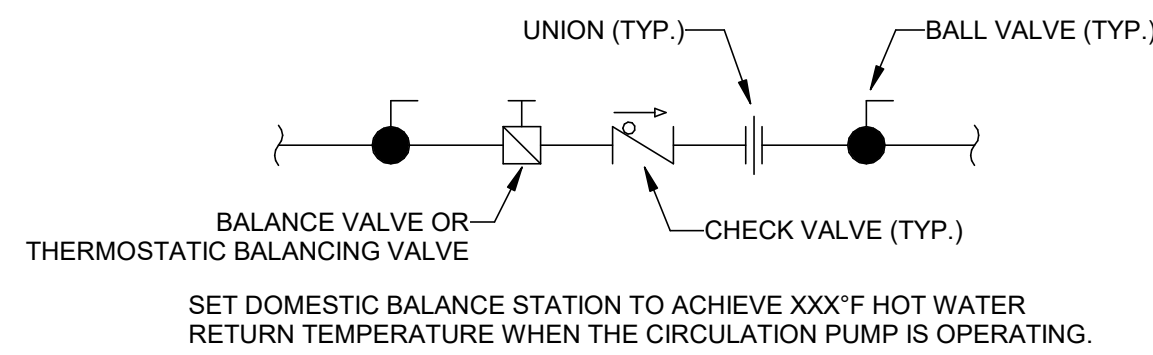
project information  
CONSTRUCTION DOCUMENTS

|                        |          |             |
|------------------------|----------|-------------|
| IU PROJECT No.:        | 20240601 |             |
| ARCHITECT PROJECT No.: | 24.49    |             |
| ISSUE DATE:            | 02.11.25 |             |
| Rev #                  | Date     | Description |
| 2                      | 03.10.25 | ADDENDUM 2  |

sheet title  
**PLUMBING SCHEDULES AND DETAILS**

sheet number

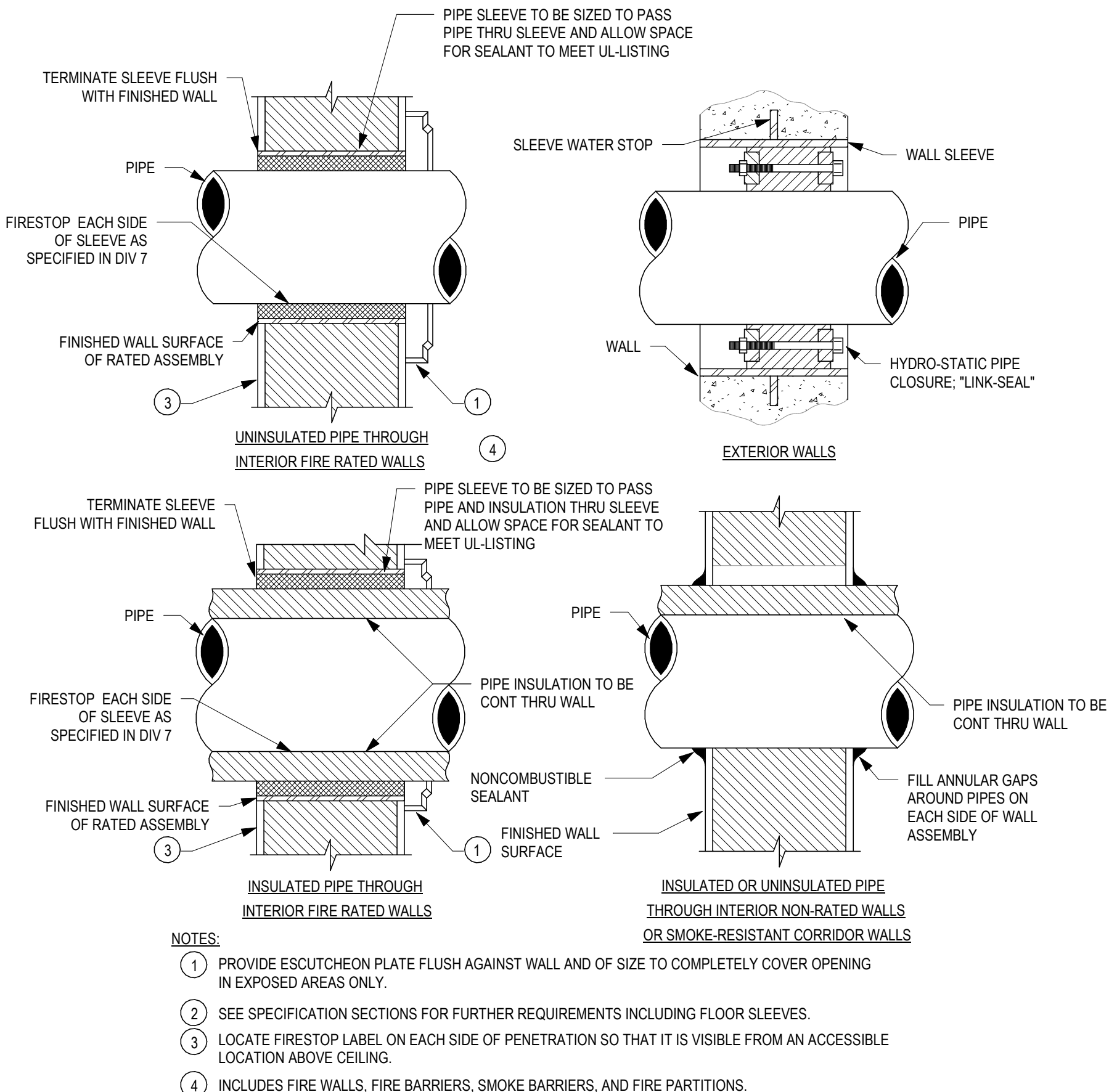
**P500**



**2 DOMESTIC HOT WATER BALANCE STATION**  
NO SCALE

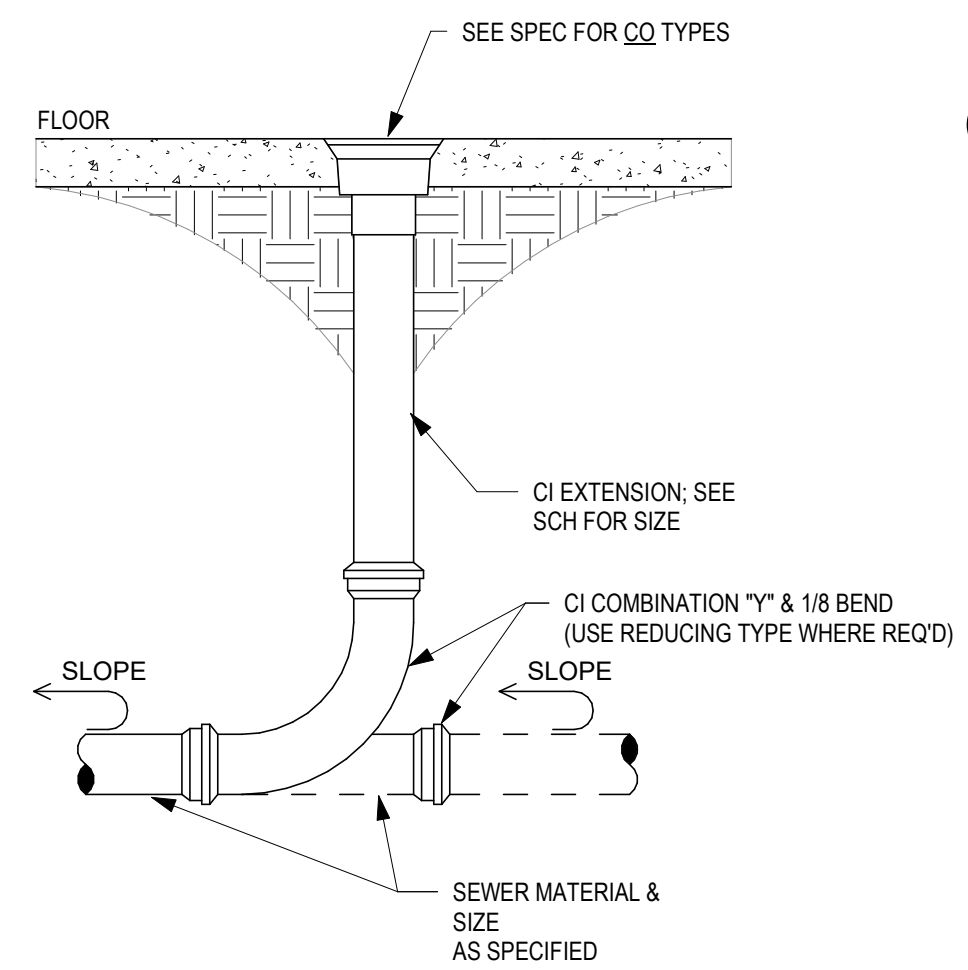
SET DOMESTIC BALANCE STATION TO ACHIEVE XXX°F HOT WATER RETURN TEMPERATURE WHEN THE CIRCULATION PUMP IS OPERATING.

| DRAIN DESIGNATION | MANUFACTURER          | MODEL | CONNECTIONS   |             | NOTES   |
|-------------------|-----------------------|-------|---------------|-------------|---|
|                   |                       |       | VENT/WET VENT | WASTE/STORM |   |
| FD-1              | Jay R. Smith Mfg. Co. | 2005A |               |             | PROVIDE MECHANICAL TRAP SEAL SIMILAR TO SURESEAL WATERLESS INLINE DRAIN TRAP. GRATE FINISH TO BE SELECTED BY THE ARCHITECT. |



**5 PIPE PENETRATION DETAILS**  
NO SCALE

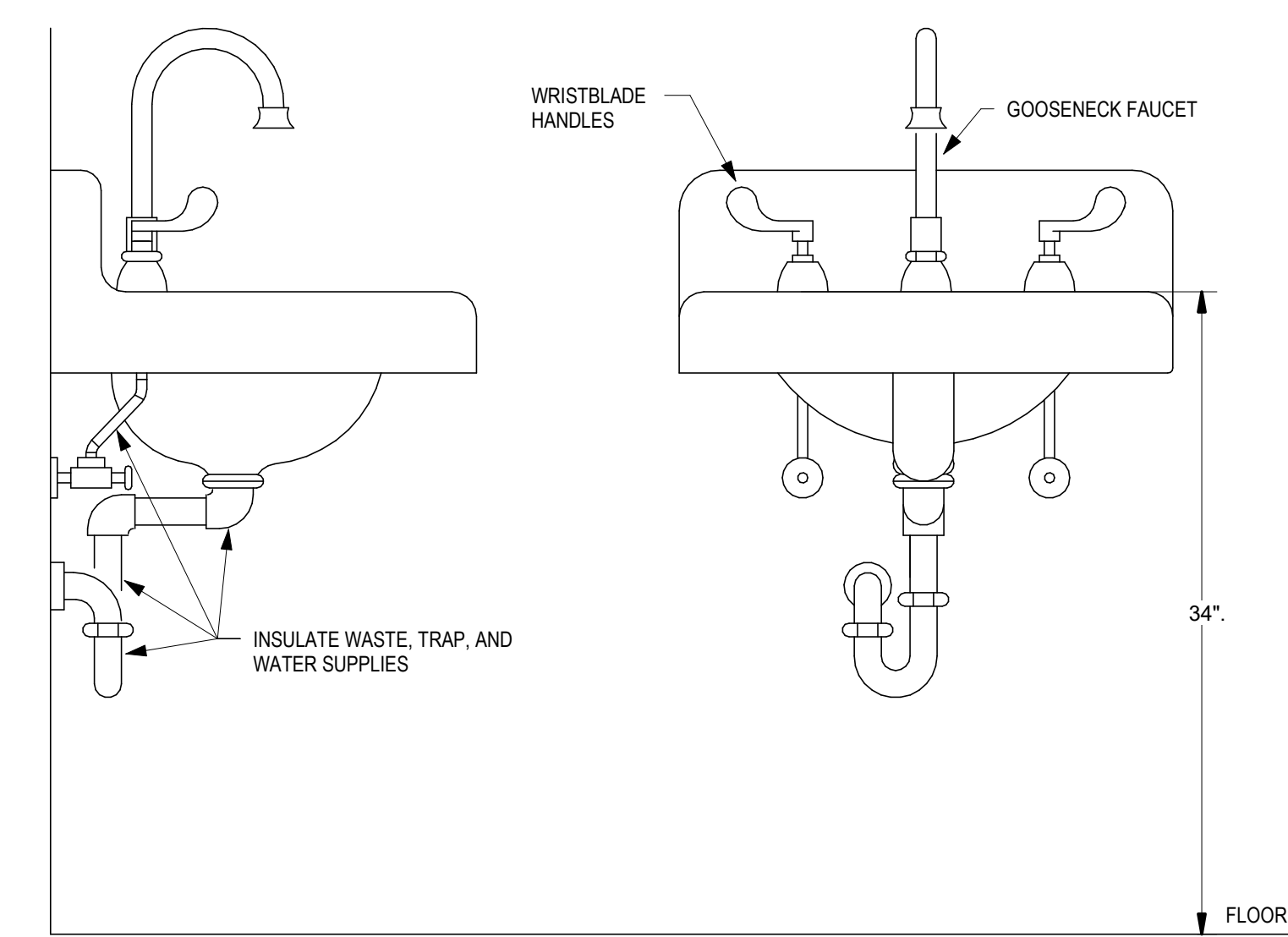
- NOTES:
- 1 PROVIDE ESCUTCHEON PLATE FLUSH AGAINST WALL AND OF SIZE TO COMPLETELY COVER OPENING IN EXPOSED AREAS ONLY.
  - 2 SEE SPECIFICATION SECTIONS FOR FURTHER REQUIREMENTS INCLUDING FLOOR SLEEVES.
  - 3 LOCATE FIRESTOP LABEL ON EACH SIDE OF PENETRATION SO THAT IT IS VISIBLE FROM AN ACCESSIBLE LOCATION ABOVE CEILING.
  - 4 INCLUDES FIRE WALLS, FIRE BARRIERS, SMOKE BARRIERS, AND FIRE PARTITIONS.



**3 FLOOR CLEANOUT DETAIL**  
NO SCALE

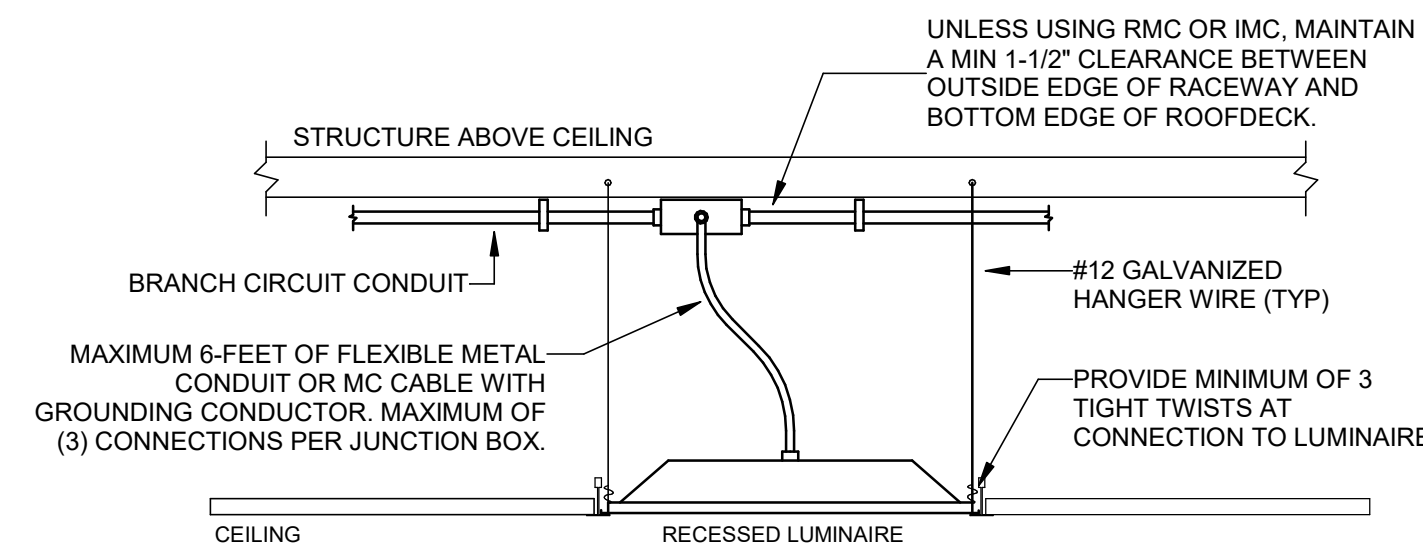
**CLEANOUT SIZES**

| PIPE SIZE   | CLEANOUT SIZE |
|-------------|---------------|
| 2"          | 2"            |
| 3"          | 3"            |
| 4" & LARGER | 4"            |



**1 TYPICAL WHEELCHAIR LAVATORY DETAIL**  
NO SCALE

NOTE: PROVIDE PROTECTIVE SHIELDING PIPE COVERS, PLASTIC WRAPS, FOR COVERING PLUMBING FIXTURE HOT AND COLD WATER SUPPLIES AND TRAP AND DRAIN PIPING. COMPLY WITH AMERICANS WITH DISABILITIES ACT (ADA) REQUIREMENTS.

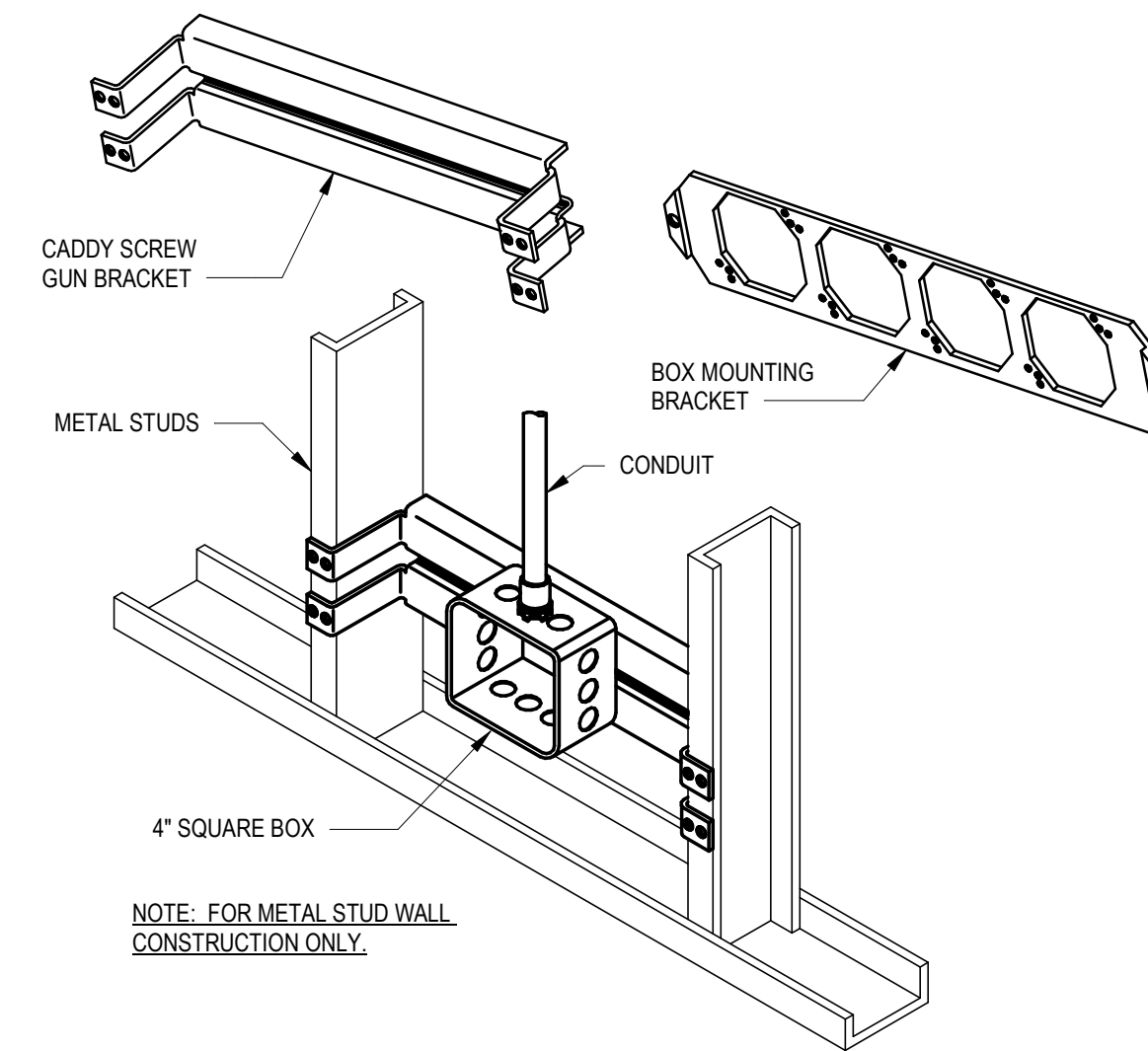


**NOTES:**

1. PROVIDE EACH LUMINAIRE WITH (2) STEEL WIRE SUPPORTS AT OPPOSITE CORNERS AND SECURE TO STRUCTURE. SECURE LUMINAIRE TO MAIN RUNNERS OF CEILING GRID AT ALL (4) CORNERS WITH MACHINE SCREWS OR APPROVED MECHANICAL FASTENERS.
2. LUMINAIRE SUPPORTS MUST BE INDEPENDENT OF ANY CEILING OR OTHER BUILDING SYSTEM SUPPORTS.

**1 L-LUMINAIRE SUPPORT DETAIL**

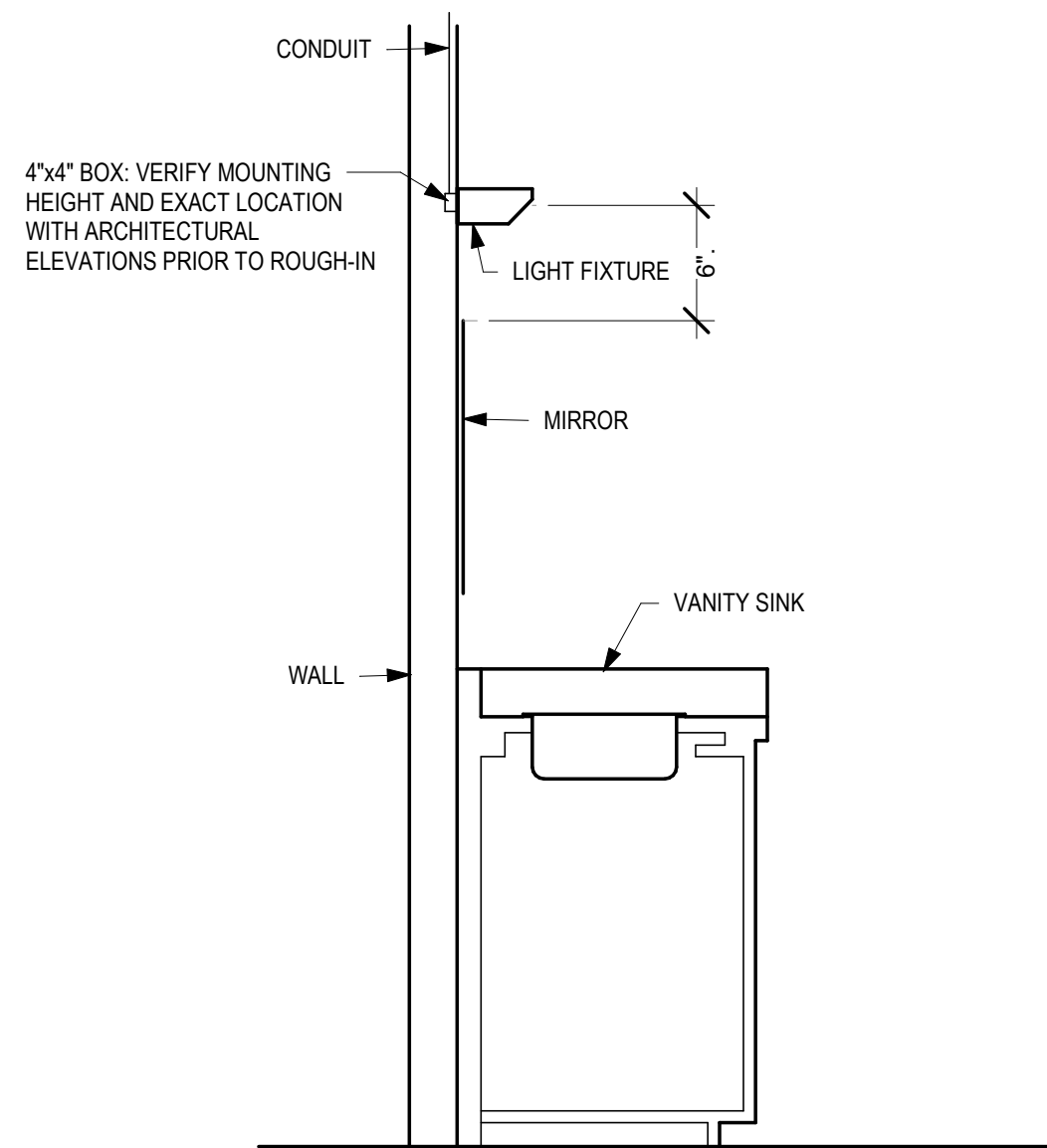
NO SCALE



NOTE: FOR METAL STUD WALL CONSTRUCTION ONLY.

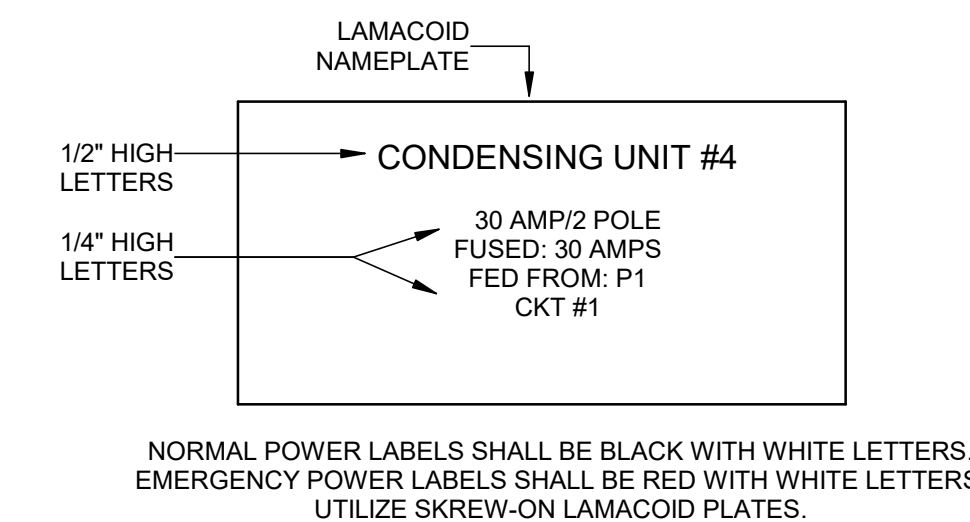
**2 WALL BOX INSTALLATION DETAIL**

NO SCALE



**5 OVER MIRROR LIGHT FIXTURE INSTALLATION DETAIL**

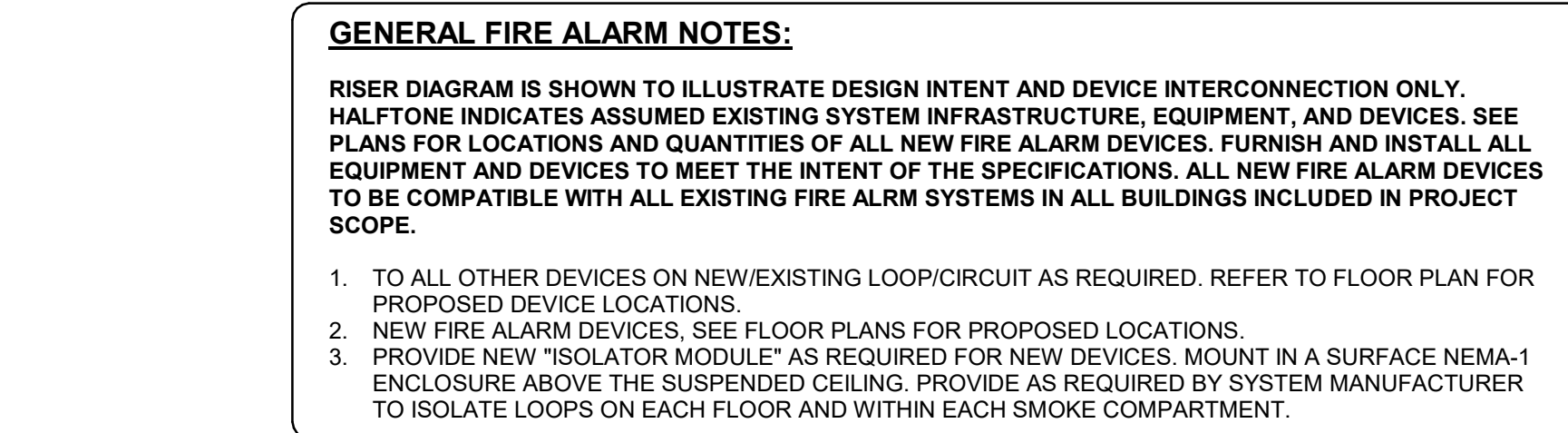
NO SCALE



NORMAL POWER LABELS SHALL BE BLACK WITH WHITE LETTERS. EMERGENCY POWER LABELS SHALL BE RED WITH WHITE LETTERS. UTILIZE SCREW-ON LAMACOID PLATES.

**3 DISCONNECT & STARTER NAMEPLATE DETAIL**

NO SCALE



**GENERAL FIRE ALARM NOTES:**

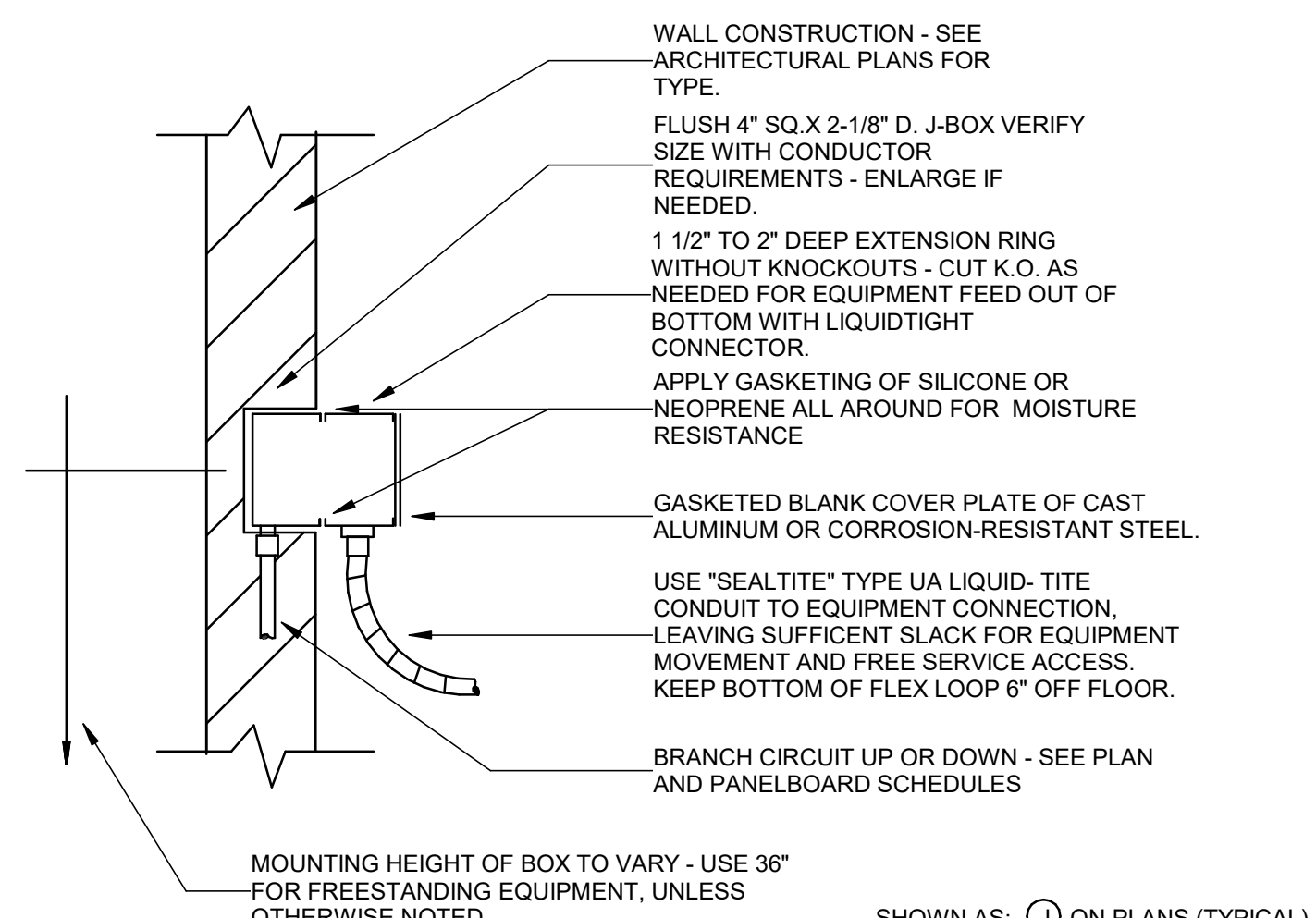
- RISER DIAGRAM IS SHOWN TO ILLUSTRATE DESIGN INTENT AND DEVICE INTERCONNECTION ONLY. HALFTONE INDICATES ASSUMED EXISTING SYSTEM INFRASTRUCTURE, EQUIPMENT, AND DEVICES. SEE PLANS FOR LOCATIONS AND QUANTITIES OF ALL NEW FIRE ALARM DEVICES. FURNISH AND INSTALL ALL EQUIPMENT AND DEVICES TO MEET THE INTENT OF THE SPECIFICATIONS. ALL NEW FIRE ALARM DEVICES TO BE COMPATIBLE WITH ALL EXISTING FIRE ALARM SYSTEMS IN ALL BUILDINGS INCLUDED IN PROJECT SCOPE.
1. TO ALL OTHER DEVICES ON NEW/EXISTING LOOP/CIRCUIT AS REQUIRED. REFER TO FLOOR PLAN FOR PROPOSED DEVICE LOCATIONS.
  2. NEW FIRE ALARM DEVICES. SEE FLOOR PLANS FOR PROPOSED LOCATIONS.
  3. PROVIDE NEW "ISOLATOR MODULE" AS REQUIRED FOR NEW DEVICES. MOUNT IN A SURFACE NEMA-1 ENCLOSURE ABOVE THE SUSPENDED CEILING. PROVIDE AS REQUIRED BY SYSTEM MANUFACTURER TO ISOLATE LOOPS ON EACH FLOOR AND WITHIN EACH SMOKE COMPARTMENT.

**EXISTING FIRE ALARM SYSTEMS PER BUILDING:**

- OPTOMETRY - SIEMENS FS250
- CHEMISTRY - SIMPLEX 4100ES
- MEYERS HALL - SIEMENS MXL
- WRIGHT EDUCATION - SIMPLEX
- INTERCOLLEGIATE GYM - SIMPLEX

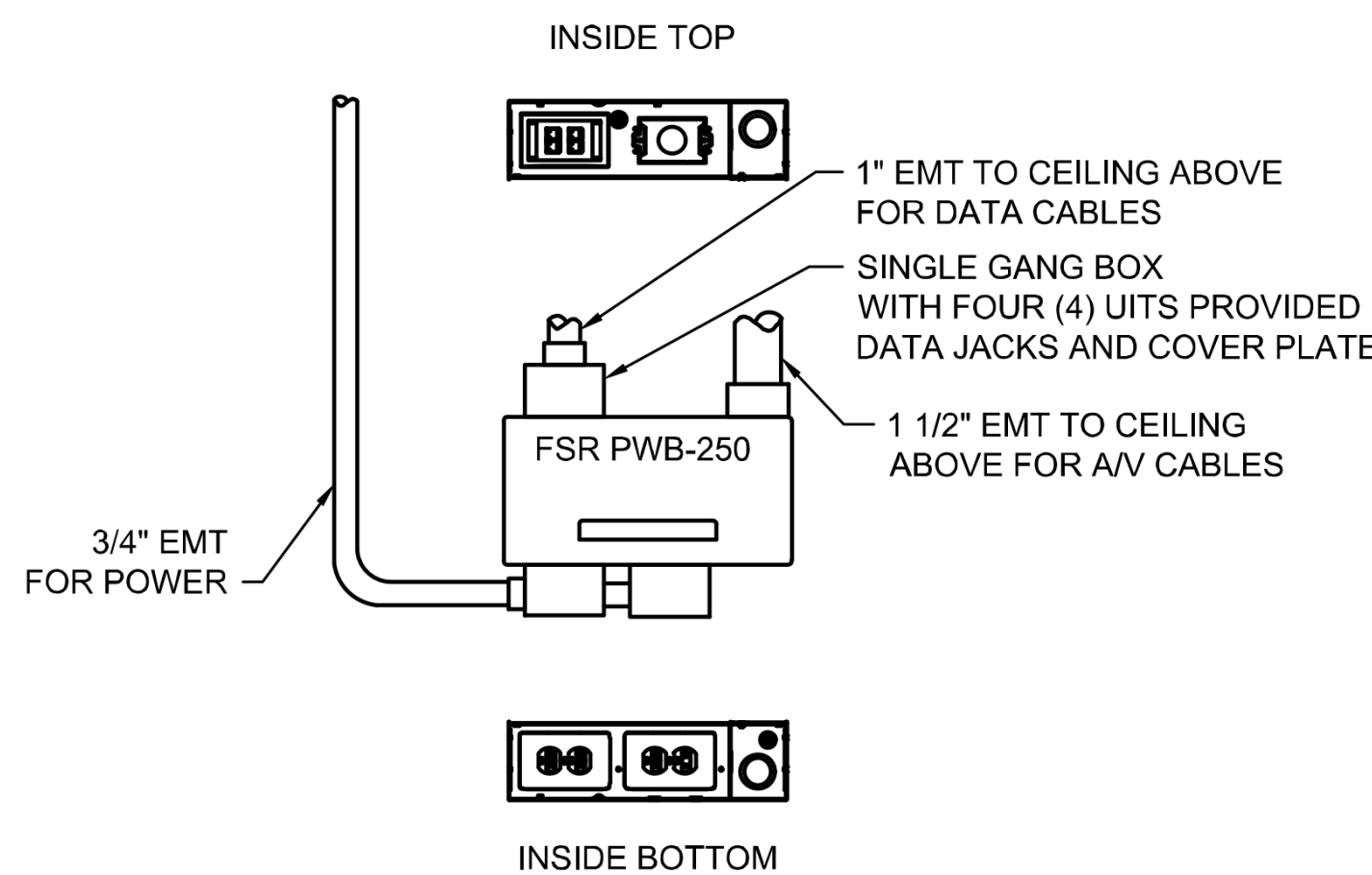
**4 TYPICAL FIRE ALARM SYSTEM DIAGRAM**

NO SCALE



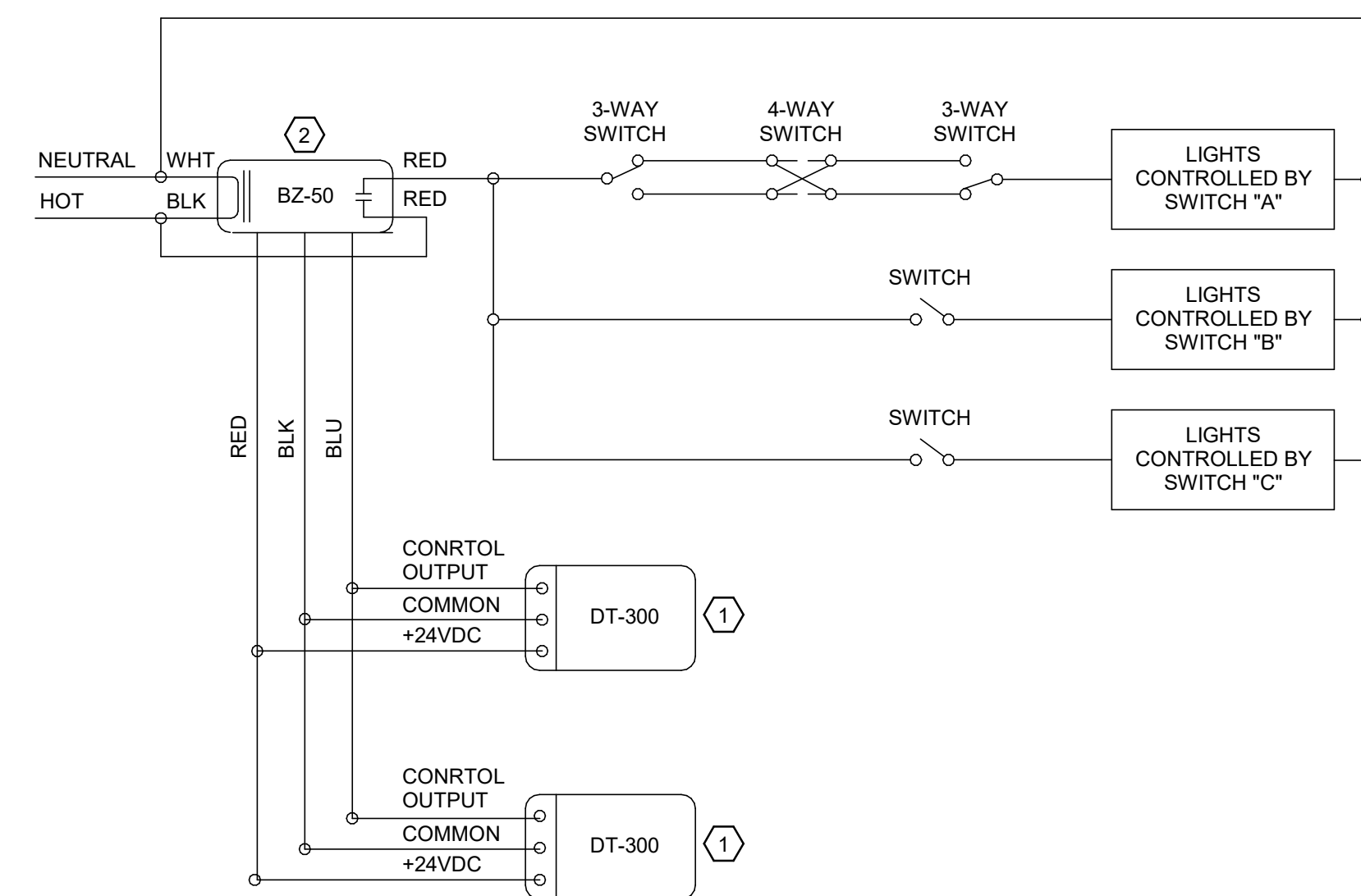
**6 TYPICAL HARD-WIRED CONNECTION**

NO SCALE



**7 FSR-PWB-250 BACKBOX DETAIL**

NO SCALE



**TAGGED NOTES:**

1. NEW CEILING MOUNT LOW-VOLTAGE, DUAL TECHNOLOGY (ULTRASONIC AND INFRARED) OCCUPANCY SENSOR; WATTSTOPPER CAT. NO. DT-300 (OR APPROVED EQUAL BY HUBBELL, LEVITON, OR SENSORSWITCH). INSTALL AT LOCATION(S) SHOWN ON LIGHTING PLANS. REFER TO MANUFACTURER'S WRITTEN INSTRUCTIONS FOR ADDITIONAL INFORMATION.
2. NEW DUAL VOLTAGE POWER PACK; WATTSTOPPER CAT. NO. BZ-50 (OR APPROVED EQUAL BY HUBBELL, LEVITON, OR SENSORSWITCH). INSTALL ABOVE ACCESSIBLE CEILING ABOVE TOGGLE SWITCHES) AT LOCATION(S) SHOWN ON LIGHTING PLANS. REFER TO MANUFACTURER'S WRITTEN INSTRUCTIONS FOR ADDITIONAL INFORMATION.

**8 OCCUPANCY SENSOR DETAIL**

NO SCALE

|                        |          |             |
|------------------------|----------|-------------|
| IU PROJECT No.:        | 20240601 |             |
| ARCHITECT PROJECT No.: | 24.49    |             |
| ISSUE DATE:            | 02.11.25 |             |
| Rev #                  | Date     | Description |
| 2                      | 03.10.25 | ADDENDUM 2  |